

Volcanoes

These pages contain all the pieces you need to make a lapbook on volcanoes, aimed at middle school kids I suppose. There is less coloring and more spaces for written information. You'll likely need a book on geology or volcanoes to do your research.

Basically, all the components can be cut out along their borders, with the dotted lines indicated folds. Use a standard office folder to create a portfolio, and glue all the pieces inside.

There are photos at the end that should show how all the booklets look after folding. You can get as creative as you want to arrange all the bits and pieces. There should be room for everything.

The folded pieces open up and information is written in the blank spaces by the person making the book (either you or your child).

Overall, this project contains a pocket filled with vocabulary words, a map, a diagram of the Earth's layers, a piece on volcanic Deities, some info on Pele's curse, a booklet on how volcanoes erupt and another one on the 3 kinds of volcanoes. There is also a big graphic to be colored along with the title, both work nice on the cover.

PELE'S CURSE

The Goddess Pele watches over all the rocks and sand on the slopes of Hawaii's volcanoes. It's said that anyone who takes these things as souvenirs will be cursed.



Every year, hundreds of people mail back the stones they picked up because they have been plagued by bad luck ever since.

**VOLCANIC
GODS AND GODDESSES**

VULCAN

PELE

Konohana

HEPHAESTUS

Magma

Crust

Lava

Vent

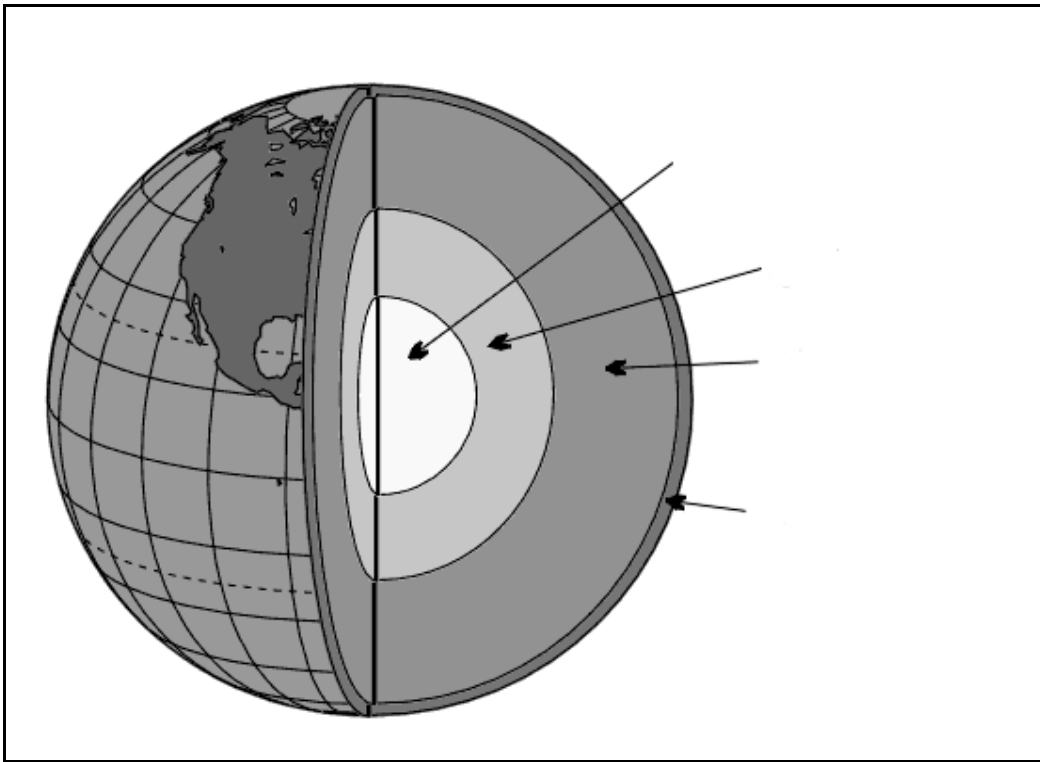
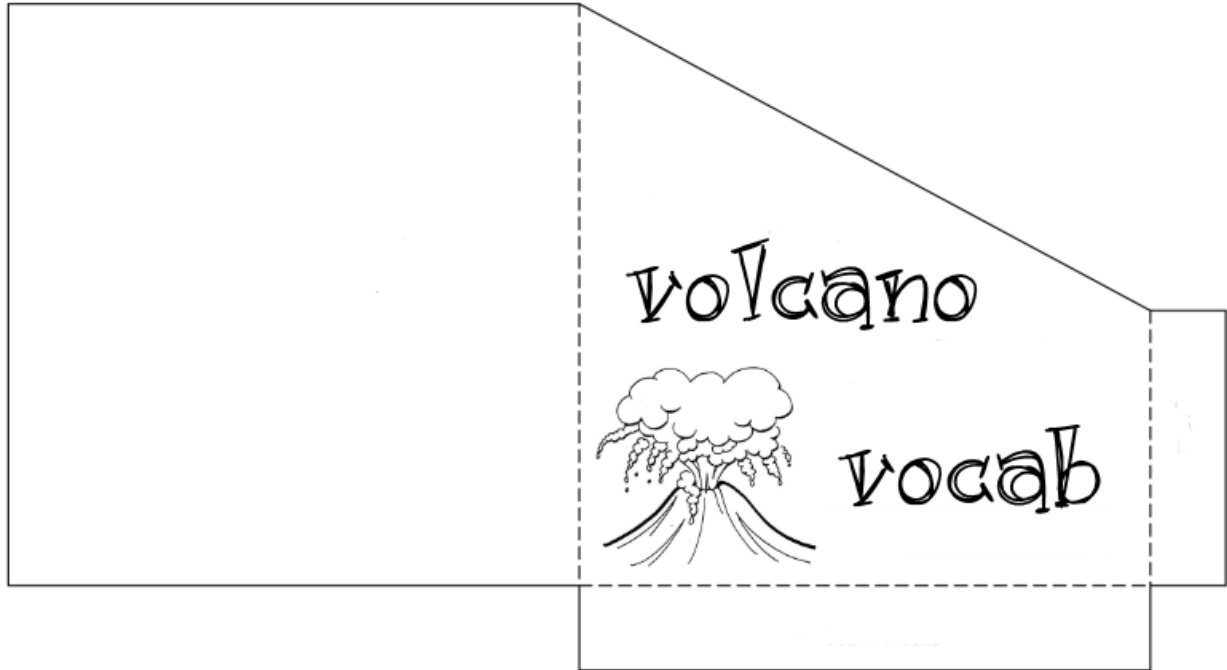
Caldera

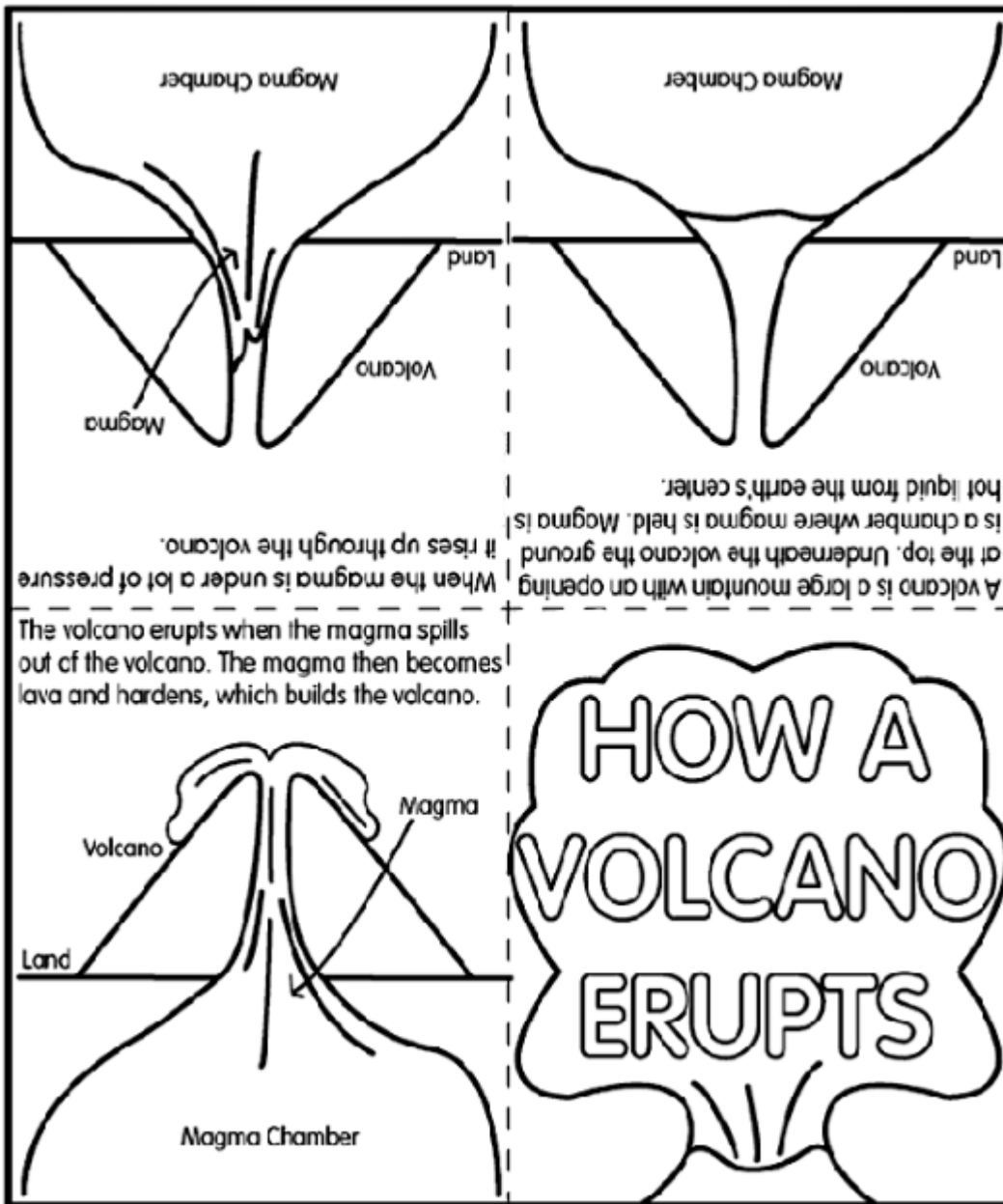
Dormant

Extinct

Eruption

Fault





<p>3 Kinds of Volcanoes</p>	
	<p>Cinder</p>
<p>Composite</p>	<p>Shield</p>



Volcanoes



Color the continents too: Africa, Australia, Europe, Asia, North America, South America

Label these famous volcanoes:

- Mount Kilimanjaro
- Mount St. Helen's
- Mt. Etna
- Mt. Fuji
- Krakatoa
- Kilauea

