

Literature Study for

# Artemis the Brave

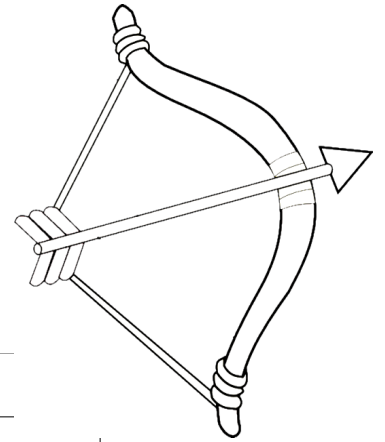
by

Joan Holub &  
Suzanne Williams



This unit contains 18 pages,  
with questions and vocabulary  
words for each chapter, along  
with other activities and writing  
prompts to go with the book

# Chapter 1 The Hunting Game



exception	
whiff	
wily	
spawn	
gruesome	
trifle	

What did the Geryon smell like?

---

What kinds of dogs does Artemis have?

---

Who sighed just before the boys arrived?

---

Who did Artemis crash into?

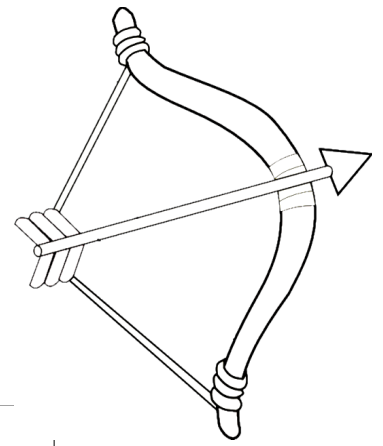
---

Where is Mt. Parnassus?

---

# Chapter 2

## The New Boy



majestic	
oblivious	
communal	
rebuked	
orator	
spectacular	

What was the name of Orion's old school?

---

What are Artemis' dogs names?

---

When did Artemis last clean out her locker?

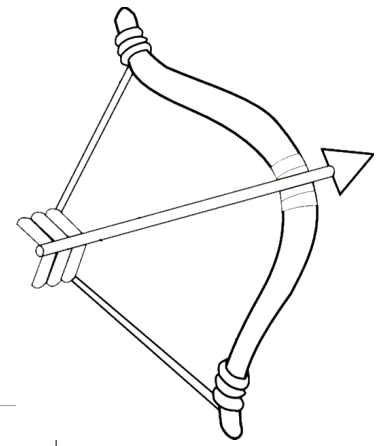
---

Which scroll was she looking for?

---

What did Artemis do to make Orion like her?

---



# Chapter 3 Crushing

impeccably	
cupola	
foreign	
clarified	
traipsing	
traits	

What was served at Artemis' party? How old was she?

---

What was Apollo's band's name?

---

When did Orion pick up Sirius?

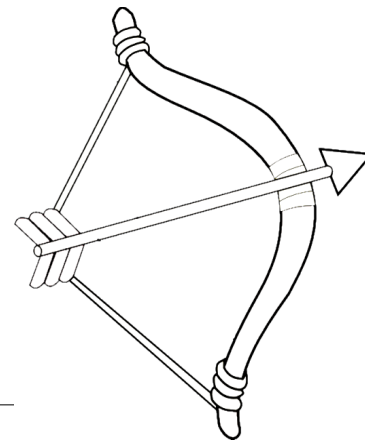
---

What was Artemis' essay on?

---

Why was Orion gold and shimmery?

---



# Chapter 4 Auditions

thespians	
intimidating	
disdainful	
audition	

Who played the flute in the chorus?

---

Name some of the plays Orion has been in.

---

Which two friends auditioned first?

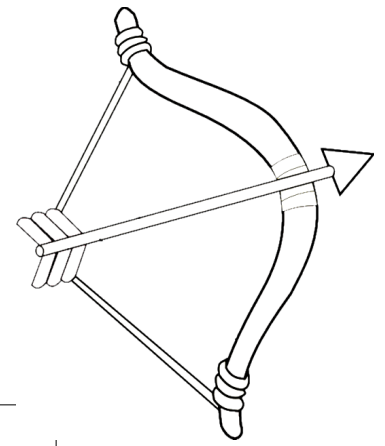
---

Did Orion forget his lines?

---

Are nymphs mortal, or not?

---



# Chapter 5 Target Practice

novice	
writhed	
coaxed	
arachnid	

What happened with Orion's first shot?

---

How did Orion and Artemis get to the Forest of the Beasts?

---

What beast attacked them?

---

Why were Artemis and Apollo practicing? Why was Orion?

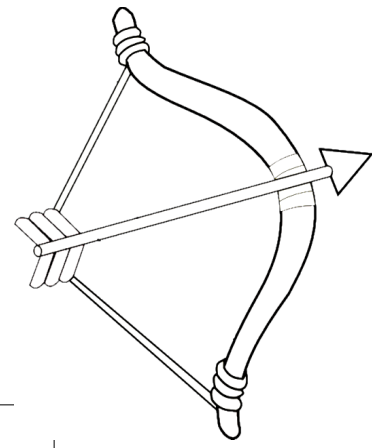
---

Why did Apollo say he didn't like Orion?

---

# Chapter 6

Too Much Drama



suspicious	
cruel	
bespelled	
ambitious	
wrought	

What was Aphrodite's advice to Artemis?

---

What did the girls have for lunch?

---

Do Artemis' friends like Orion as much as she does?

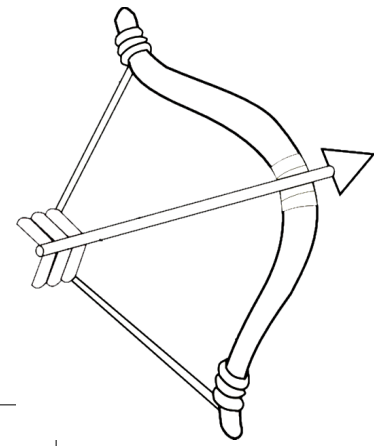
---

Which scenes did Orion want for himself?

---

What did Artemis forget because of rehearsals?

---



# Chapter 7 Shoot

wincing	
faux	
tiff	
humiliated	
retrieve	

What were the names of the silver arrows?

---

Where were the dogs sleeping?

---

Who was Orion's archery partner?

---

Where was Orion hit with the arrow?

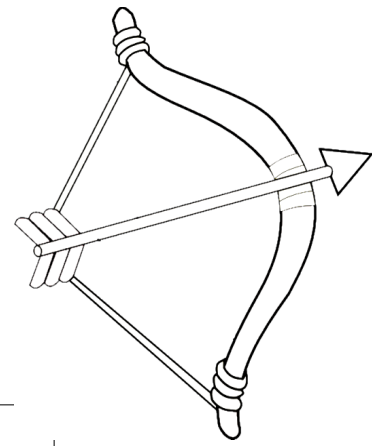
---

Who was the judge of the contest?

---



# Chapter 8 Bailing



rummaged	
foreboding	
lunged	
cower	

What kind of sickness is catarrh?

---

Who would take Dionysus' role in the play?

---

What is unusual about Athena's mother?

---

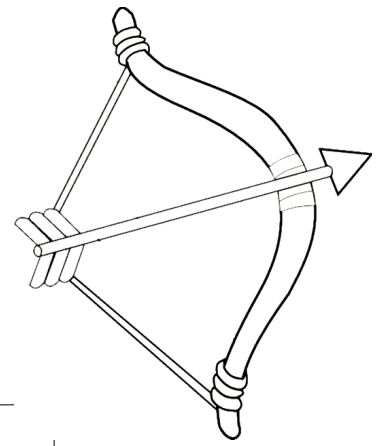
Where was Orion to perform on Earth?

---

Who gave him a chariot ride?

---

# Chapter 9 Wild Beasts



traitorous	
octave	
poultice	
labyrinth	

What did the minotaurs first turn into? And then what?

---

Where did Artemis head to stop the beasts?

---

What turned out to be the off switch?

---

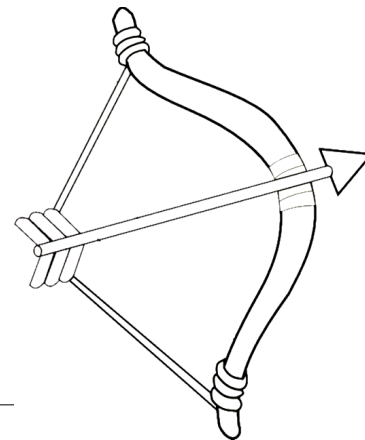
Which period was Beast-ology class in?

---

Where was Athena wounded?

---

# Chapter 10 Stars



oblivious	
conniving	
dejection	
ovation	

What was Hades having trouble with?

---

Did the play go smoothly?

---

What role did Orion end up with?

---

Why did Orion return to Olympus?

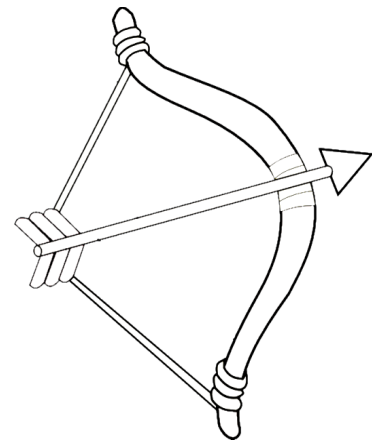
---

What marked the start of the play?

---

Artemis the Brave

# Chapter 11 Friends and Pie



snafu	
puzzlement	

Where did the friends go after the play?

---

Who bumped into Artemis?

---

What did he do that impressed Artemis?

---

How did Orion end up?

---

Pick one of the beasts mentioned in the book  
Draw it, and write a short paragraph on it.



---

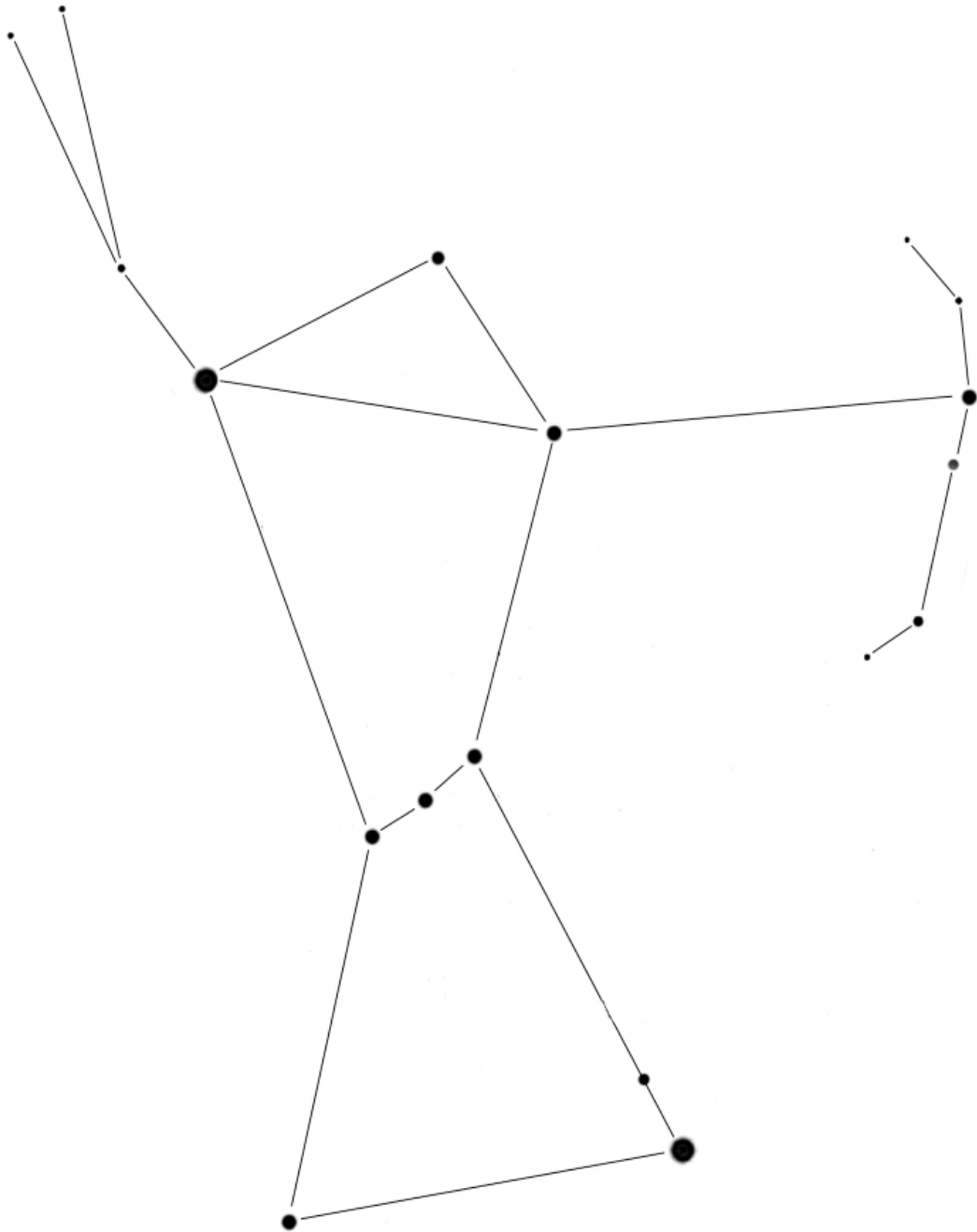
---

---

---

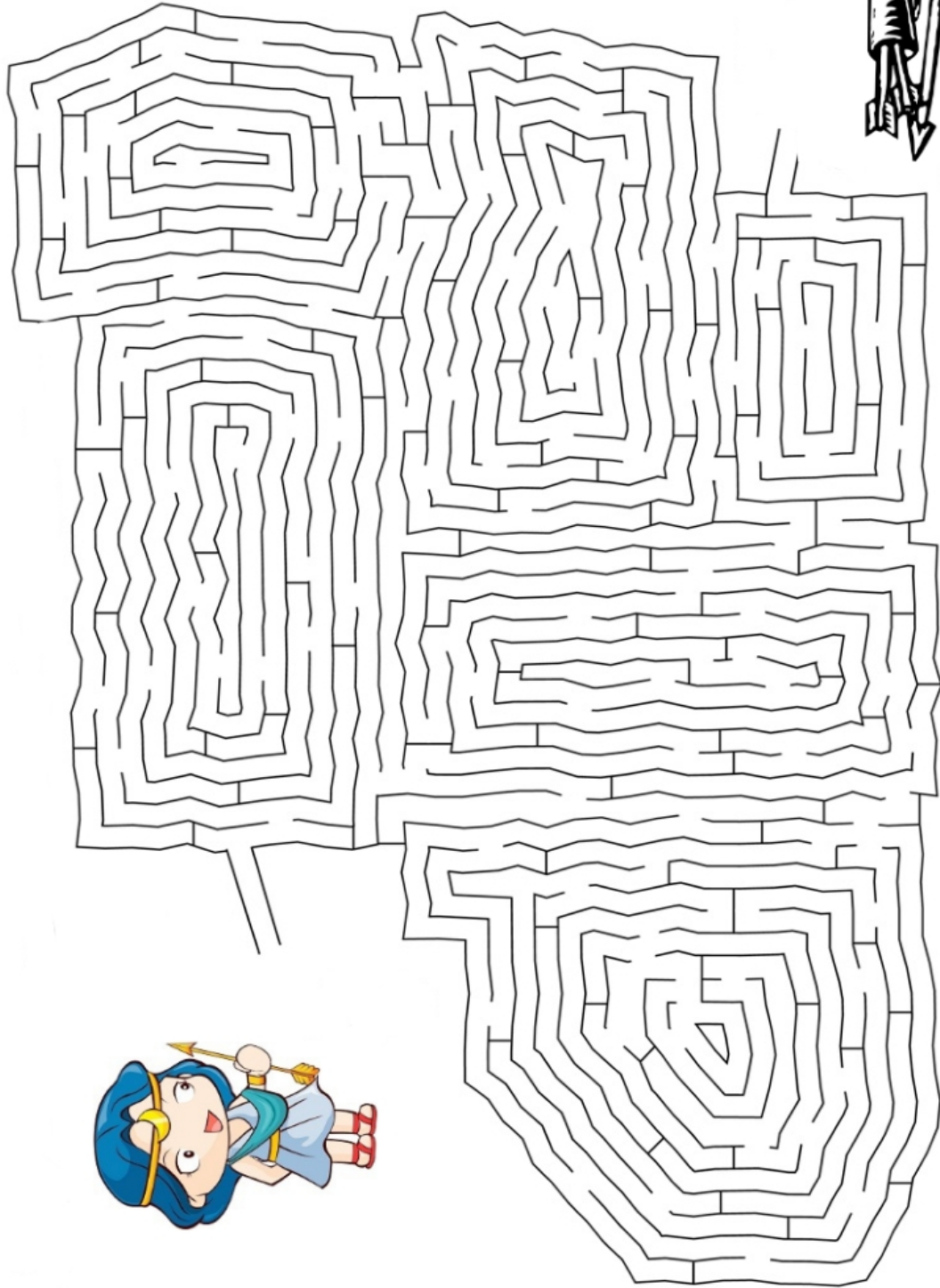
---

This is the constellation of Orion. Label the main stars (7)



*can you find it in the night sky?*

Help Artemis find her quiver in the labyrinth



# Bravery

Being brave doesn't mean you're not scared. It means you that go ahead and face a situation anyway, scared or not.

Can you think of the times Artemis was brave in this story?

I can think of at least 3 different parts where she showed great bravery.

---

---

---

---

Is there any time where *you* have been brave? What did you do?

---

---

---

---



# Answer Key

## Chapter 1

1. swamp gas, wet dog and cow patties
2. bloodhound, beagle, greyhound
3. nymphs
4. Aphrodite
5. southern Greece

## Chapter 2

1. Larissa Middle School
2. second grade
3. Suez, Ambrosia, Nectar
4. beauty-ology
5. watched his dog, walked him to class

## Chapter 3

1. ambrosia, nectar punch, hero sandwiches, cakes, 13
2. Heaven's Above
3. he didn't
4. the beauty of being organized
5. GodBod spray

## Chapter 4

1. Athena
2. *Electra, Medea*
3. Pandora and Dionysus
4. no, he knew them all by heart
5. mortal

## **Chapter 5**

1. the arrow fell out of the bow
2. winged sandals
3. giant scorpion
4. the archery contest, his role in the play
5. Orion is in love with himself

## **Chapter 6**

1. be yourself, never dump friends over a guy
2. nectaroni and ambrosia sundaes
3. no
4. Poseidon walking on water, Dionysus battling the scorpion
5. archery practice

## **Chapter 7**

1. Ophis, Loxos, Hekaergos
2. under a pile of laundry
3. he didn't have one
4. in the behind
5. Zeus

## **Chapter 8**

1. like a cold
2. Apollo
3. she is a fly that lives in Zeus' head
4. Dionysia Amphitheater, in Greece
5. Hermes

## **Chapter 9**

1. griffons, then hippocamps
2. into the labyrinth
3. dragon's tongue in the fountain
4. third
5. ankle

## **Chapter 10**

1. the lights
2. yes
3. the lights/stars in the sky
4. his play closed
5. Athena's flute played

## **Chapter 11**

1. the Supernatural Market
2. Actaeon
3. hanging above the stage

## **Bravery**

3 times Artemis was brave:

- when Artemis fights the beasts (I considered this to be one thing though it happened in more than one scene)
- when she stood by her interest in Orion even when her friends didn't like him
- when she had to face Zeus about Orion's leaving the play

